

# Single Lens Parking Camera

titanHz



## Introduction

The titanHz parking camera is applied in the parking guidance and find my car system to detect whether the parking space is occupied or not and recognize the license plate. It is integrated with the parking space status indicator which can indicate red, green, yellow, blue, cyan, and magenta colors. Red indicates the parking space is occupied, green indicates the parking space is available, and blue indicates the parking space is reserved. The camera can be widely applied in the environment with dark light, such as warehouse, underground garage, bar, garden, etc. to provide HD display.

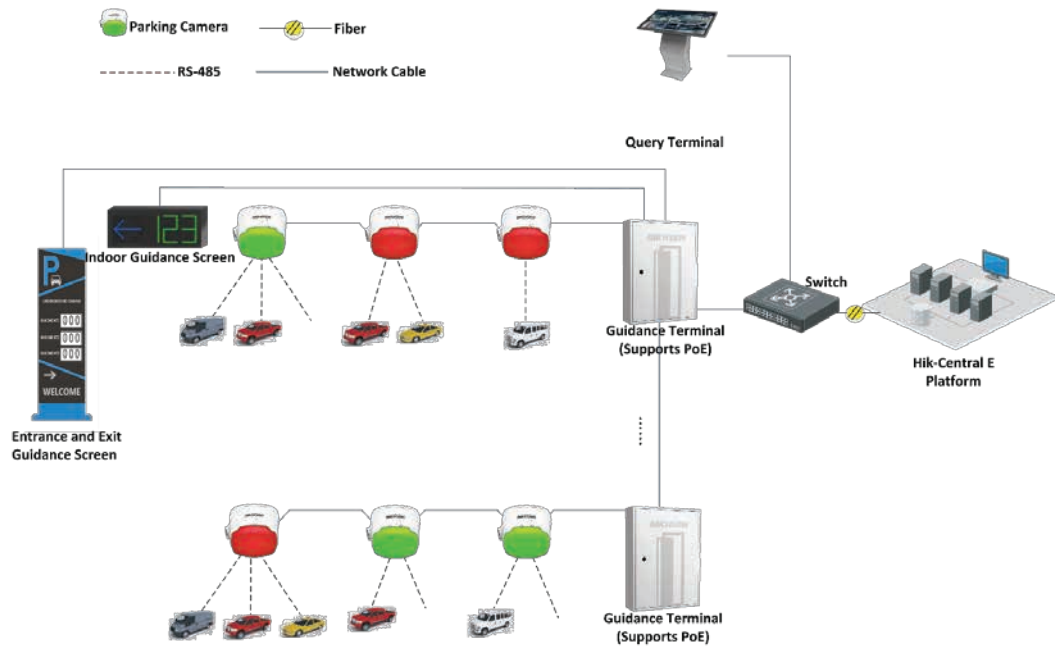
## Key Feature

- Built-in high-performance AI chip, supporting ANPR (accuracy  $\geq 99.5\%$ ), detection of the parking space status (accuracy  $\geq 99.99\%$ ), and smart analysis of crossing over line, motion detection, etc.
- HD 4 MP camera, applied in environment with low illumination such as underground garage.
- 3D noise reduction to guarantee clean and exquisite image.
- Smart detection of the parking space status, and smart analysis of crossing over line, motion detection, etc.
- Energy-saving LED with high brightness and low consumption.
- Speed recognition in second accuracy to indicate the parking space status in real time and provide accurate available parking space number.
- Network wiring with easy connection, installation, and maintenance.
- ROI encoding.
- Two RJ45 interfaces, supporting connecting cameras in series, and no power cord is needed.
- Dual-stream.
- Built-in iBeacon module, supporting indoor positioning and navigation with the help of APP. iOS or Android SDK is provided.

# Specification

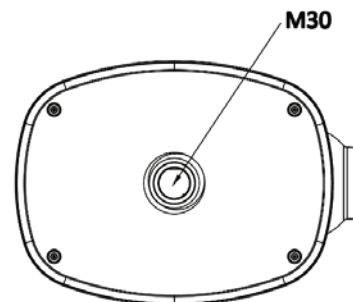
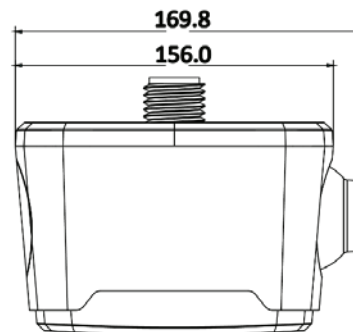
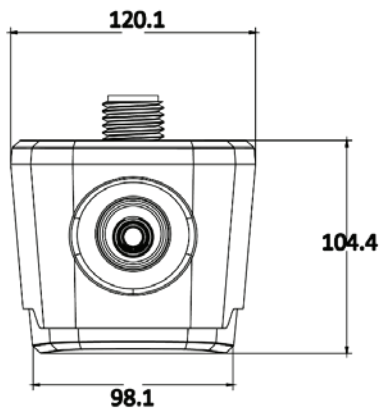
<b>Model</b>	<b>IB-MGF771-C-V</b>
<b>Camera</b>	
Image Sensor	1/1.8" Progressive Scan CMOS
Min. Illumination	Color: 0.012 Lux @ (F2.0, AGC ON) B/W: 0.00062 Lux @ (F2.0, AGC ON)
Shutter Speed	1 to 1/100,000 second
Lens	2.8 mm/4 mm (optional)
LED Indicator	In integrated mode, red, green, yellow, blue, cyan, and magenta colors can be indicated. In separation mode, up to 3 external indicators which can indicate red, green, yellow, blue, cyan, and magenta colors can be connected. Supports indicator flashing. NOTE: Dual lens camera doesn't support external indicator
Angle Adjustment	Pan: -30° to 30° Tilt: 0° to 30°
FOV	For 2.8 mm lens: horizontal: 98°, vertical: 53.1°, diagonal: 114.7° For 4 mm lens: horizontal: 75.3°, vertical: 41.4°, diagonal: 88.2°
<b>Compression</b>	
Video Compression	H.265/H.264/MJPEG
Output Bit Rate	32 Kbps to 16 Mbps
<b>Image</b>	
Image Format	JPEG
Max. Resolution	2560 × 1440
Video Standard	PAL
Frame Rate	IB-MGF771-C-V 30 fps (N)/25 fps (P)
Main Stream	IB-MGF771-C-V 2560 × 1440 (default), 1920 × 1080, 1600 × 1200, 1280 × 720, 720 × 576
Sub-Stream	IB-MGF771-C-V 2560 × 1440, 1920 × 1080, 1280 × 720, 720 × 576 (default), 352 × 288
Image Settings	Brightness, contrast, saturation, white balance, and gain can be adjusted via client or IE browser.
Backlight Compensation	Supported. Areas can be selected.
<b>Network</b>	
Storage	NAS (iSCSI optional) Local storage: guidance terminal HDD
Protocol	TCP/IP, HTTP, DHCP, DNS, DDNS, RTP, RTSP, PPPoE, SMTP, NTP, UPnP, SNMP, FTP, 802.1x, QoS, HTTPS (SIP, SRTP, and IPv6 optional)
General Function	Flashing filter, dual-stream, heartbeat, mirror, password protection, privacy mask, watermark, NTP time synchronization
<b>Smart Function</b>	
Smart Function	Built-in AI deep-learning algorithm, supporting ANPR and parking space detection.
<b>Interface</b>	
Communication Interface	2 × RJ45 10 M/100 M self-adaptive Ethernet interface 1 × power interface 3 × external indicator interface
iBeacon	Standard iBeacon protocol (for -B model)
<b>General</b>	
Working Temperature	-20 °C to 50 °C (-4 °F to 122 °F)
Working Humidity	< 95% (no condensation)
Protection Level	IP54
Power Supply	12 to 24 VDC wide-range voltage
Consumption	Single lens: max. 6.5 W
Weight	500 g (1.1 lb)

## Typical Application



## Dimension

(Single Lens)



Unit: mm

### Mailing Address

VOSTOK Trading L.L.C,  
 304,3rd Floor,Al Tawhidi Building,  
 Khaleed Bin Waleed Road,  
 P.O. Box: 27106 - Dubai,  
 UNITED ARAB EMIRATES.

### Contact Details

Tel : (905) 331-2695  
 Fax : (905) 331-2696  
 Email : sales@titanhz.com

### Social Media

[www.facebook.com/pages/Titanhz/151150798404988](https://www.facebook.com/pages/Titanhz/151150798404988)  
[plus.google.com/112635276746321262748/posts](https://plus.google.com/112635276746321262748/posts)  
[titanhz-anpr-systems.blogspot.in](http://titanhz-anpr-systems.blogspot.in)  
[twitter.com/titanHz](https://twitter.com/titanHz)